



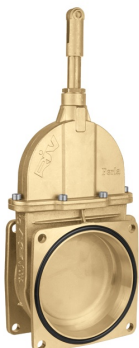
RubINETTERIE Italiane Velatta SpA

———— since 1950 ————

>> **YOU need the BEST**

Perla

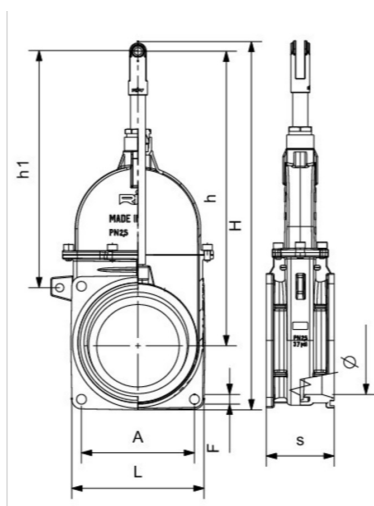
Series



RIV 10

Two-flange piston gate valve
 with O-ring gaskets

» Tech drawings and tables



| DN | Codice | Ø | H | h | S | L | F | A | h1 | PN | KG | P/box |
|----|--------------|-----|-----|-----|-----|-----|----|-----|-----|----------------|--------|-------|
| 4" | 050010000016 | 91 | 385 | 290 | 97 | 180 | 13 | 150 | 235 | 3bar - 45psi | 5,957 | 1 |
| 5" | 050010000018 | 120 | 450 | 350 | 90 | 180 | 13 | 150 | 295 | 3bar - 45psi | 7,452 | 1 |
| 6" | 050010000919 | 143 | 490 | 390 | 90 | 180 | 13 | 150 | 320 | 2,5bar - 37psi | 7,577 | 1 |
| 8" | 050010000020 | 191 | 610 | 485 | 111 | 230 | 13 | 180 | 385 | 1,5bar - 21psi | 16,759 | 1 |

>> Advantages

Better tightness compared to other gate valves of the same type.
Anticorrosion stainless steel screws.
In accordance with 97/23/CE (PED) Directive.

>> RIV Rubinetterie Italiane Velatta S.p.A
Via delle Acacie 8 Zona Industriale D4
P. O.Box 64
28075 GRIGNASCO (NO) ITALY
Tel +39 0163 4151
Fax +39 0163 411914

>> Capitale sociale € 516.000 i.v.
Reg. Imprese di Novara N° 00469610026
R.E.A. di Novara N° 170397
Numero Meccanografico NO009263
Codice Fiscale 00469610026
Partita IVA IT 01399720034

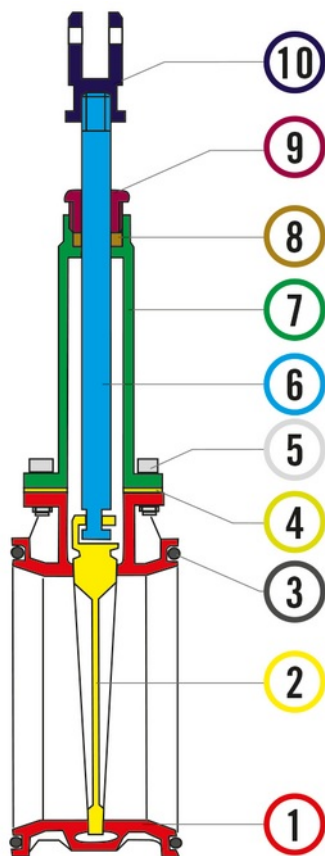
>> E - mail riv-vg@riv-vg.com
vendite.italia@riv-vg.com
export.sales@riv-vg.com
Web www.riv-vg.com



» Technical data

RIV 10

| Nr. | Cod. |
|-----|----------|
| 2 | Riv 9815 |
| 3 | Riv 9858 |
| 4 | Riv 9834 |
| 5 | Riv 9851 |
| 6 | Riv 9829 |
| 7 | Riv 9822 |
| 8 | Riv 9840 |
| 9 | Riv 9844 |
| 10 | Riv 9854 |



| Materials | | | |
|-----------|--------------|-----------------|----------|
| 1 | Body | Brass | CB754S |
| 2 | Wedge | Brass | CB754S |
| 3 | O-Ring | NBR | |
| 4 | Gasket | Fibre | |
| 5 | Screw | Stainless Steel | AISI 304 |
| 6 | Stem | Brass | CW614N |
| 7 | Cap | Brass | CB754S |
| 8 | Tow packing | Fibre | |
| 9 | Stuffing-Box | Brass | CW614N |
| 10 | Fork | Brass | CW617N |

Connection

F: ISO 228/1, ANSI B1.20.1 (NPT)
 Square flange

Limit

0°C (+32°F) without liquid +60°C (+140°F)

Notes

The max. working pressure (PN) means at a room temperature of about 23°C.

» More Products



RIV 13

Two-flange piston gate valve
 with double-acting pneumatic jack in
 brass
 PPS system
 with O-ring gaskets



RIV 14

Two-flange piston gate valve
 with double-acting hydraulic jack
 with O-ring gaskets



RIV 17

Two-flange piston gate valve
 with single-acting hydraulic jack
 with O-ring gaskets



RIV 19

Two-flange piston gate valve
 with single-acting hydraulic ram
 spring jack
 with O-ring gaskets



RIV 40

Piston gate valve flange/thread
 with O-ring gasket



RIV 43

Piston gate valve flange/thread
 with double-acting pneumatic jack in
 brass
 PPS system
 with O-ring gasket



RIV 44

Piston gate valve flange/thread
 with double-acting hydraulic jack
 with O-ring gasket



RIV 47

Piston gate valve flange/thread
 with single-acting hydraulic jack
 with O-ring gasket



RIV 49

Piston gate valve flange/thread with single-acting hydraulic ram spring jack with O-ring gasket



RIV 60

Threaded piston gate valve



RIV 61

NPT threaded piston gate valve



RIV 63

Threaded piston gate valve with double-acting pneumatic jack in brass PPS system



RIV 64

Threaded piston gate valve with double-acting hydraulic jack



RIV 67

Threaded piston gate valve with single-acting hydraulic jack



RIV 68

NPT threaded piston gate valve with double-acting pneumatic jack in brass PPS system



RIV 69

Threaded piston gate valve with single-acting hydraulic ram spring jack