



Rubinetterie Italiane Velatta SpA  
————— since 1950 —————

>> **YOU need the BEST**

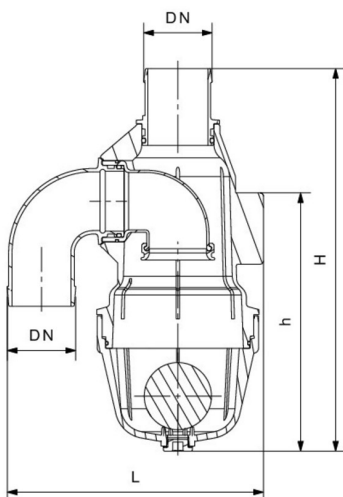
**OCEAN**  
  
**Series**



## RIV 335

Techno-polymer great capacity  
 siphon  
 with straight hose-connection  
 with key

### » Tech drawings and tables



DN	Codice	H	h	L	PN	KG	P/box
50	050335000053	450	304	276	3bar - 45psi	4,007	1
60	050335000055	451	304	284	3bar - 45psi	4,199	1
75	050335000059	454	304	300	3bar - 45psi	4,738	1
80	050335000061	455	304	307	3bar - 45psi	4,764	1

## »» Advantages

Body in an unbreakable and anticorrosion techno-polymer, with supporting ribs in the most stressed points.

Double fixing bracket to guarantee a better stability and sturdiness against vibrations.

This siphon is the biggest one on the market thanks to its 3,5 Liter capacity, that corresponds to 55% more than the other siphons of the same type.

Cup made in a special transparent and shockproof techno-polymer.

Anticorrosion stainless steel fixing screws.

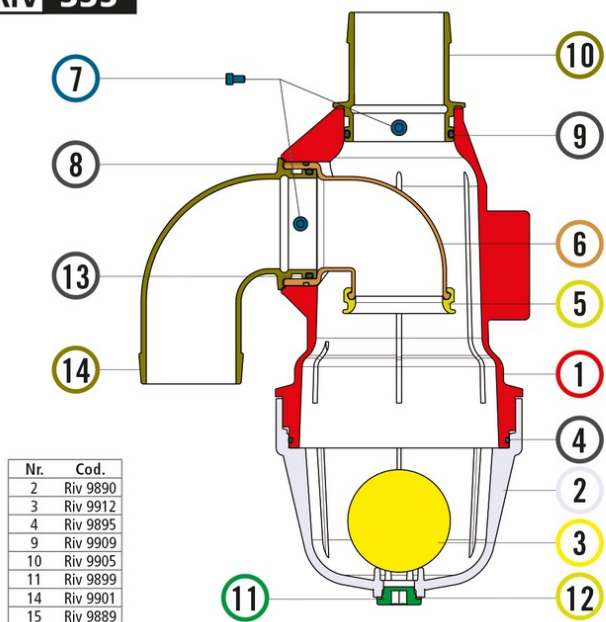
Equipped with a practical key for an easy opening and closing of the cup.

Possible manometer connections.



» Technical data

**RIV 335**



Nr.	Cod.
2	Riv 9890
3	Riv 9912
4	Riv 9895
9	Riv 9909
10	Riv 9905
11	Riv 9899
14	Riv 9901
15	Riv 9889

Materials			
1	Body	PP+glass fibres	
2	Cup	Acetate	
3	Ball	EPDM	
4	O-Ring	NBR	
5	Gasket	NBR	
6	Inner bent	PP	
7	Screw	Stainless Steel	AISI 304
8	O-Ring	NBR	
9	O-Ring	NBR	
10	Hose-connection	Brass	CB754S
11	Plug	PA+glass fibres	
12	Gasket	NBR	
13	O-Ring	NBR	
14	Hose-connection	Brass	CB754S
15	Key	PP+glass fibres	

Connection	Hose-connection
Limit	0°C (+32°F) without liquid +90°C (+194°F)
Notes	The max.working pressure (PN) means at a room temperature of about 23°C.

» More Products



**RIV 330**

Techno-polymer great capacity siphon with bent hose-connection with key



**RIV 332**

Techno-polymer great capacity siphon with bent hose-connection and discharge cock with key



**RIV 337**

Techno-polymer great capacity siphon with straight hose-connection and discharge cock with key