



Rubinetterie Italiane Velatta SpA

————— since 1950 —————

>> YOU need the BEST

*Centurion*

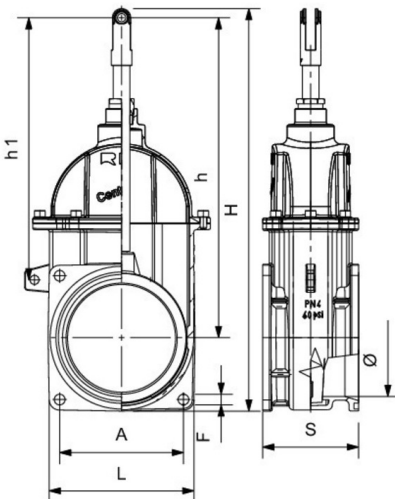
Series



## RIV 30

Great capacity two-flange piston gate valve  
 with O-ring gaskets

### » Tech drawings and tables



DN	Codice	Ø	H	h	S	L	F	A	h1	PN	KG	P/box
6"	050030000019	143	490	390	116	180	13	150	320	4bar - 60psi	10,024	1

## » Advantages

It represents the evolution of the "Diamante" gate valve, with its modern, strong, attractive and particularly functional shapes.

It offers the same great containing volume, a solution that prevents from clogging.

The cap with its wide and linear profile up to the top optimizes the largest capacity.

"CENTURION" is the most capacious gate valve, among the similar ones present on the market.

The connection between body and cap is obtained through practical stainless steel screws, which make the dismantling operations for cleaning and maintenance easier.

Thanks to the new design the gate valve can be installed even in tighter spaces.

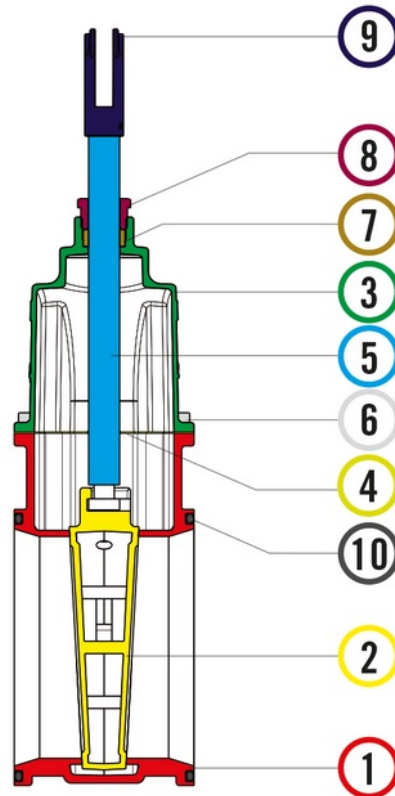
Larger wedge to have a better tightness.

In accordance with 97/23/CE (PED) Directive.



» Technical data

**RIV 30**



Materials			
1	Body	Brass	CB754S
2	Wedge	Brass	CB754S
3	Cap	Brass	CB754S
4	Gasket	Fibre	
5	Stem	Brass	CW614N
6	Screw	Stainless Steel	AISI 304
7	Tow packing	Fibre	
8	Stuffing-Box	Brass	CW614N
9	Fork	Brass	CW617N
10	O-Ring	NBR	

Nr.	Cod.
2	Riv 9825
3	Riv 9825
4	Riv 9837
5	Riv 9829
6	Riv 9851
7	Riv 9840
8	Riv 9844
9	Riv 9854
10	Riv 9858

Connection	Square flange
Limit	0°C (+32°F) without liquid +60°C (+140°F)
Notes	The max. working pressure (PN) means at a room temperature of about 23°C.

» More Products



**RIV 33**

Great capacity two-flange piston gate valve with double-acting pneumatic jack in brass  
PPS system  
with O-ring gaskets



**RIV 34**

Great capacity two-flange piston gate valve with double-acting hydraulic jack with O-ring gaskets



**RIV 37**

Great capacity two-flange piston gate valve with single-acting hydraulic jack with O-ring gaskets



**RIV 39**

Great capacity two-flange piston gate valve with single-acting hydraulic ram spring jack with O-ring gaskets