



RubINETTERIE Italiane Velatta SpA
— since 1950 —

>> YOU need the BEST

opale
Series

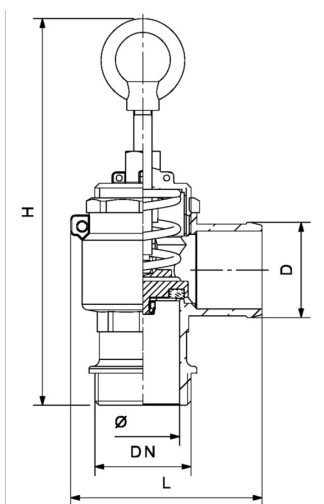


RIV 250

Spring operated pressure relief valve with hose-connection

» RIV 90250 Calibrated & sealed

» Tech drawings and tables



DN	Codice	Ø	H	L	D	PN	KG	P/box
1"1/4	050250000008	32	170	89	40	1,5bar - 21psi	0,732	20
1"1/2	050250000009	39	180	100	45	1,5bar - 21psi	0,933	15
2"	050250000011	50	160	110	51	1,5bar - 21psi	1,253	10

»» Advantages

Environmentally compatible, thanks to its hose-connection, where you can apply a pipe for discharging any possible polluting leakages into a proper tank. The valve can be easily adjusted to the desired pressure (from 0,5 to 1,5 bar - from 7 to 21 psi) and it can be sealed tamper-proof through the drilled tongues.

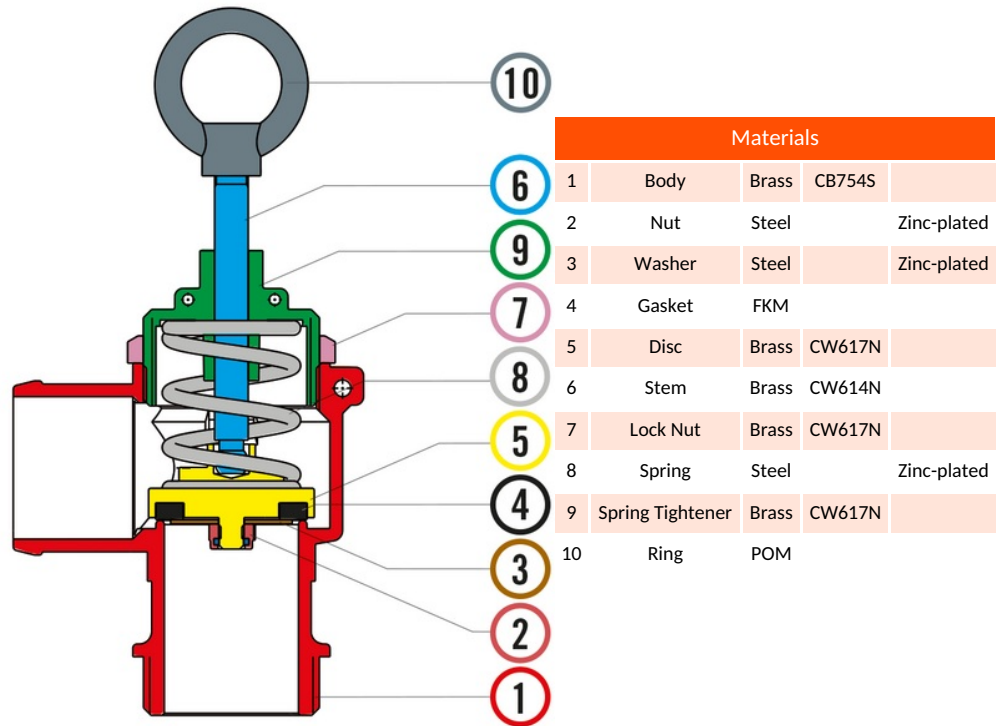
Certified in accordance with 2014/68/UE (PED).

»» Approvals



>> Technical data

RIV 250



Connection	ISO 228/1, ANSI B1.20.1 (NPT)
Limit	0°C (+32°F) without liquid +180°C (+356°F)
Notes	<p>The max.working pressure (PN) means at a room temperature of about 23°C.</p> <ul style="list-style-type: none"> • Pressure relief valve intended for exclusive use on the slurry tanker, at a max. 1.5 bar (21 psi). • The valve is intended for the discharge of gaseous fluids, it's not suitable for the passage of liquids especially if with solid part in suspension (Slurry, etc.) • The valve doesn't replace the 4th category safety device which must in any case be present on the system.



»» More Products



RIV 230

Spring operated pressure relief valve
with free discharge



RIV 251

Spring operated pressure relief valve
with hose-connection
NPT thread