



Rubinetterie Italiane Velatta SpA  
————— since 1950 —————

>> **YOU need the BEST**

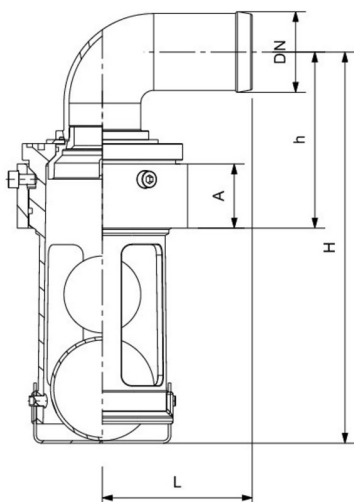
*acqua*  
*marina*  
Series



## RIV 410

Primary shut-off valve with double ball  
 Compact model

### » Tech drawings and tables



DN	Codice	H	h	L	A	PN	KG	P/box
60	050410000055	306	138	117	50	3bar - 45psi	2,820	1
80	050410000061	353	136	132	52	3bar - 45psi	4,070	1

## »» Advantages

360° orientation

Techno-polymer basket for a better crash- and corrosion resistance

»» RIV Rubinetterie Italiane Velatta S.p.A  
Via delle Acacie 8 Zona Industriale D4  
P. O.Box 64  
28075 GRIGNASCO (NO) ITALY  
Tel +39 0163 4151  
Fax +39 0163 411914

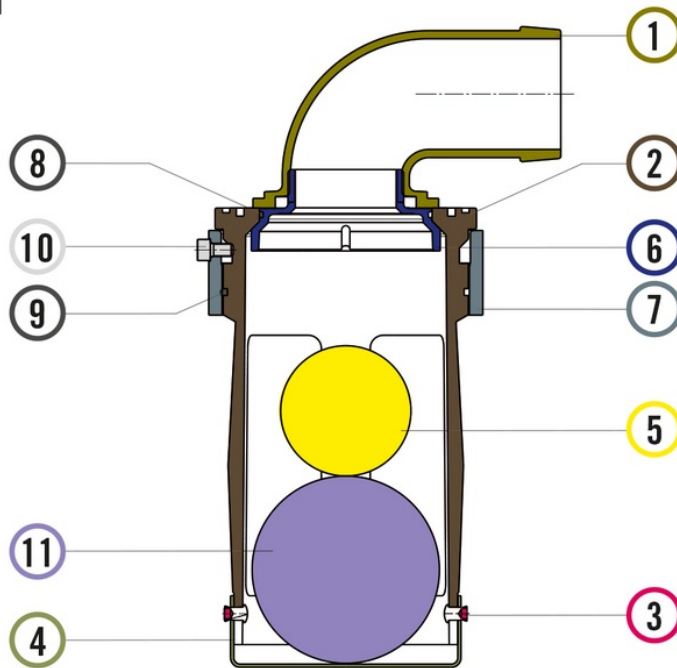
»» Capitale sociale € 516.000 i.v.  
Reg. Imprese di Novara N° 00469610026  
R.E.A. di Novara N° 170397  
Numero Meccanografico NO009263  
Codice Fiscale 00469610026  
Partita IVA IT 01399720034

»» E - mail [riv-vg@riv-vg.com](mailto:riv-vg@riv-vg.com)  
[vendite.italia@riv-vg.com](mailto:vendite.italia@riv-vg.com)  
[export.sales@riv-vg.com](mailto:export.sales@riv-vg.com)  
Web [www.riv-vg.com](http://www.riv-vg.com)



» Technical data

**RIV 410**



Materials			
1	Hose Connection	Aluminium	
2	Basket	PP	
3	Rivet	Brass	CW614N
4	Bracket	Stainless Steel	AISI 430
5	Ball	EPDM	
6	Seat	Brass	CB754S
7	Screwed ring	Steel	
8	O-Ring	NBR	
9	O-Ring	NBR	
10	Screw	Stainless Steel	AISI 304
11	Ball	PEHD	

Nr.	Cod.
5	Riv 9912
11	Riv 9911

Connection	Hose-connection
Limit	0°C (+32°F) without liquid +60°C (+140°F)
Notes	The max.working pressure (PN) means at a room temperature of about 23°C.